

Type 2010/2015 Camera Housing



The DM2010 and DM2015 are designed to provide the installer with a quick, secure and reliable camera option for fixed and zoom cameras.

Ideal for any application, the robust, IP66 rated die-cast Aluminum housing provides the camera with the necessary protection from a demanding environment.

The internal camera cavity is simply accessed by loosening 2 screws with cable conduits led out through either full or semi cable managed bracketry.

Both housings are designed to operate for either 12VDC to 24VAC or 110VAC to 230VAC.

The 2015 has been designed to provide all the features of the 2010, but the increased capacity makes it possible to incorporate a wider selection of zoom cameras. The optional wiper module adds increased functionality to meet the demands of a high specification installation.

So not only do they look good, the 2010 and 2015 are designed to reduce installation times at a competitive price.

benefits

- ROBUST IP66 RATED ENCLOSURE
- FULLY CABLE MANAGED (2015 ONLY)
- HEATER FITTED AS STANDARD
- OPTIONAL WIPER MODULE (2015 ONLY)
- ROBUST DIE-CAST ALUMINIUM HOUSING
- MULTIPLE VOLTAGE OPTION
- 2 YEAR WARRANTY
- COMPATIBLE WITH MOST CAMERA OPTIONS

build options

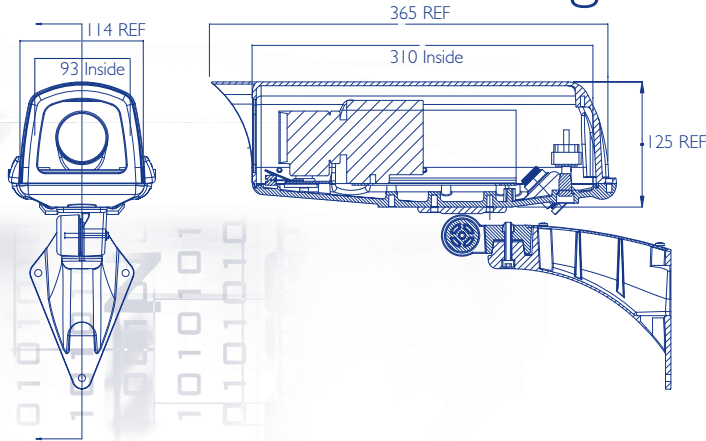
2010

- /L – KEYLOCK
- /F – INTERNAL FAN
- /D – DUSTPROOF
- /ATS – ANTI TAMPER SWITCH

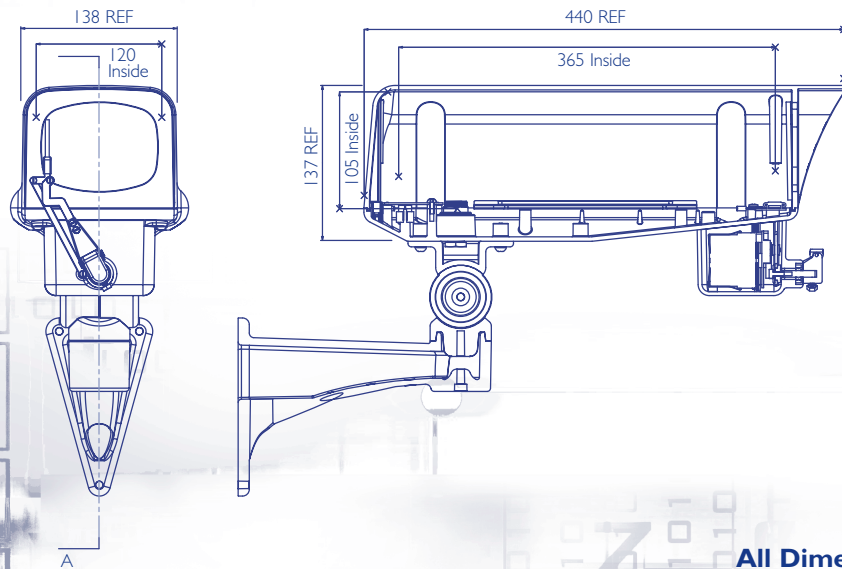
2015

- /L – KEYLOCK
- /F – INTERNAL FAN
- /D – DUSTPROOF
- /ATS – ANTI TAMPER SWITCH
- /W – WIPER MODULE

Type 2010 Camera Housing



Type 2015 Camera Housing



All Dimensions in millimetres

Specification

MATERIAL

- Pressure die cast Aluminium alloy

WEIGHT

- | | |
|-------------|----------------------|
| 2010 | 2015 |
| • 2.2kg | • 5.4kg (with wiper) |

FINISH

- Powder coated and stoved

POWER CONSUMPTION

- | | |
|-------------|-------------------------|
| 2010 | 2015 |
| • 10 Watts | • 16 Watts (with wiper) |

HEATER VOLTAGE

- 12V to 24V or 110V to 230V

PLEASE CHECK THE WEBSITE FOR LATEST DEVELOPMENTS

FOR FURTHER INFORMATION PLEASE CONTACT

Dedicated Micros UK

11 Oak Street, Swinton, Manchester, M27 4FL, UK Tel: +44 (0) 161 727 3200 Fax: +44 (0) 161 727 3300.

Dennard UK

Tel: +44 (0)1252 614884 Fax: +44 (0)1252 626013 e-mail: sales@dennard-cctv.com

Dedicated Micros USA

14434 Albemarle Point Place, Suite 100, Chantilly, Virginia 20151 USA Freephone: 800 864 7539
Tel: +1 703 904-7738 Fax: +1 703 904-7743 and 23456 Hawthorne Blvd. Suite 100, Torrance, CA 90505,
Tel +1 310 791-8666 Fax: +1 310 791-9877.

Dedicated Micros Europe

Neckarstraße 15, 41836 Hückelhoven, Germany Tel: +49 243 352 580 Fax: +49 24 33 52 58 10
e-mail: infobox@dmicros.com

Dedicated Micros Belgium

Joseph Chantraineplantsoen 1, 3070 Kortenberg, Belgium Tel: +32 2751 3480, Fax: +32 2751 3481
e-mail: dmbenelux@dmicros.com

Dedicated Micros Ltd. Slovenija

Delavska cesta 26, 4208 Sencur-Slovenija Tel: +386 (4) 279 18 90, Fax: +386 (4) 279 18 91
e-mail: dmslovenia@dmicros.com

Dedicated Micros France

9-13 rue du Moulinet, 75013 Paris, France Tel: +33 1 45 81 99 99, Fax: +33 1 45 81 99 89.
e-mail: dmfrance@dmicros.com

Dedicated Micros Asia

16 New Industrial Road, #03-03 Hudson Techno Centre, Singapore 536204 Tel: +65 62858982 Fax: +65 62858646.

Dedicated Micros Australia

5/3 Packard Avenue, Castle Hill, NSW 2154, Australia Tel: +612 9634 4211 Fax: +612 9634 4811.

Dedicated Micros Malta

UB 2, San Gwann Ind. Est., San Gwann, Malta Tel: +356 21483 673 Fax: +356 21449 170.

Dedicated Micros Middle East

Building 12, Suite 302, P.O.Box 500291, Dubai Internet City, Dubai, United Arab Emirates
Tel: +971 (4) 390 1015, Fax: +971 (4) 390 8655.

The manufacturer reserves the right to change the specification without notice.

All trademarks are courtesy of registered owners.
DM is a trademark of Dedicated Microcomputers Group Ltd.
REF: DM01/05



www.dedicatedmicros.com