

JVC®

The Perfect Experience / —

10" MULTI-FORMAT COLOUR VIDEO MONITOR

DT-V100CG

Compact, Multi-format professional display for HD and SD video monitoring



(with 16:9 bezel attached)

Fully equipped with professional features, this HD* and SD compatible monitor is small on size yet big on performance, and best of all, very affordable.

- High-performance specifications in a compact chassis, at an affordable price
- Real-time video conversion eliminates delay on all inputs including HD
- Optional multiformat input modules are available:
 - IF-C151HDG: HD/SD SDI input with bargraph indicator for levels of embedded audio
 - IF-C101CMG**: Analogue component
- Aspect ratio: 16:9 or 4:3, with detachable bezel
- RK-C101E EIA Rack Mount Adapter option (5U)
- Multi-format capability: PAL & NTSC, 720/50p & 60p, 1080/50i & 60i, and 1080/24psF
- Tally lamp indicator: red or green selectable

* Optional input module required for HD display.

** Early 2006

The ultra-compact design of JVC's new 10" multi-format DT-V100CG monitor makes it an obvious and convenient choice for any application. Affordably priced yet flexible in design, it is field-upgradable by the addition of the HD/SD SDI interface module.

This monitor is designed to satisfy the most demanding needs of the broadcast and video industries.

HD & SD and Multi-format Capabilities

The DT-V100CG monitor is compatible with all major DTV formats from PAL to NTSC as well as SD and HD* for video professionals and broadcasters. Compatible formats include: PAL, NTSC, 1080/60i, 1080/59.94i, 1080/50i, 1080/24psF, 1080/23.98psF, 720/60p, 720/59.94p, 720/50p, 480/59.94i and 576/50i.

Real-time Converter (for HD*)

The DT-V100CG offers unique CRT monitor advantages, as the optional HD input module is equipped with a newly developed real-time converter which eliminates image delay. The CRT also has wide viewing angles.

Optional Input Modules

The choice of either multi-format HD/SD SDI or component input module enhances the flexibility of the cost-efficient DT-V100CG.**

Compact body, affordable price range

Just 220mm in height, 222mm in width and with a depth of only 319mm, the DT-V100CG is the space-saving choice for any application. Best of all, its affordable price will help keep operations within budget.

16:9 Bezel for Wide Mask

The DT-V100CG is supplied with a detachable 16:9 bezel for switching between 16:9 and 4:3 ratios. The monitor also offers Area Markings in 16:9 mode, selectable between 14:9, 13:9, and 4:3.



Rack Mount Adapter (option)

An EIA rack mount adapter is an accessory option. It is 5U high and allows 2 monitors to be positioned side by side.

Selectable (Red/Green) Tally Lamp

The tally lamp colour, displayed when the monitor is switched on, can be set to either red or green. The tally lamp also serves as an indicator of presence of an HD/SD SDI signal.

On-screen Audio Level Bargraph Indicator

The optional IF-C151HDG multi-format HD/SD SDI input module incorporates an audio level bargraph on-screen indicator.

Cross-function Menu Control Key

By moving the control jog up, down, left or right, the front panel's MENU control key can be used to select or adjust menu items (Main or Set-up Menu).



* Optional input module required for HD display.

** Only one interface module may be fitted at any one time.

Optional Accessories

IF-C151HDG Multi-format HD/SD SDI Module with Audio Level Indicator

- Input of HD/SD SDI • Automatic detection of the signal type
- Audio level of embedded audio signal is indicated on-screen. • Audio D/A out (2ch selectable)

IF-C101CMG Multi-format Component Module • Early 2006

RK-C101E Rack Mount Adapter (5U) • Takes 2 Monitors side-by-side.

Specifications

Model		DT-V100CG
Type		Multi-format Monitor
Colour Systems	Built-in	PAL, NTSC
	With optional module*	1080/60i, 1080/59.94i, 1080/50i, 1080/24psF, 1080/23.98psF, 720/60p, 720/59.94p, 720/50p, 480/59.94i, 576/50i
CRT		10" measured diagonally
Scanning Frequency		H : 15 kHz V : 50 Hz/60 Hz
Horizontal Resolution		SD: 300 TV lines HD: 230 TV lines
Power Requirements		120 V/220-240 V AC, 50 Hz/60 Hz
Power Consumption		0.9 A (120 V AC)/0.6 A (220-240 V AC)
Colour Temperature		6,500°K / 9,300°K selectable
Input/Output Terminals**		
Composite Signal		VIDEO A / VIDEO B: 2 lines, BNC connector x 4 (1 Vp-p, 75Ω)
External Synchronised		EXT. SYNC: 1 line, BNC connector x 2 (0.3 Vp-p - 4 Vp-p, 75Ω)
Compliant Video Signal		
INPUT A/B		PAL (4.43 MHz), NTSC (3.58 MHz), B/W (50 Hz/60 Hz)
INPUT C/D		Varies depending on the optional input unit
Remote Terminals		
RS-485		Serial connection, 1 line, RJ-45 connector (8-pin) x 2, compliant to RS-485
MAKE/TRIGGER		Point-of-contact connection, 1 line, RJ-45 connector (8-pin) x 1
Dimensions: W x H x D (Without optional input module; With or without Wide Mask)		222 x 220 x 319.3mm
Weight (Without Wide Mask and input unit)		7.1 kg

* Optional input module required for HD display.

** The input (IN) and output (OUT) terminals are bridge-connected. (Auto termination)

Front/Rear View

Dimensions

unit=mm

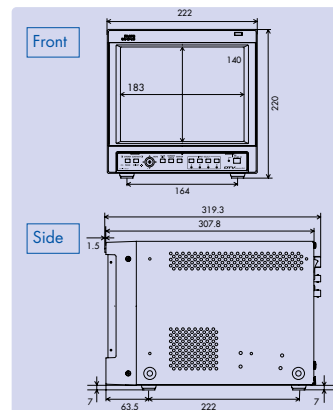
Front Control Panel View



Rear Panel View



Attached with optional Multi-format HD/SD SDI module IF-C151HDG



E.&O.E. Design and specifications subject to change without notice.

All brand or product names may be trademarks and/or registered trademarks of their respective owners. Any rights not expressly granted herein are reserved.

Certain accessories may not be available in certain areas.

Copyright © 2005 Victor Company of Japan, Limited (JVC). All Rights Reserved.

JVC®

DISTRIBUTED BY

Printed in Japan
ICN-0324

JVC is the trademark or registered trademark of Victor Company of Japan, Limited.