

SNC-CS10P / SNC-CS11P OUTLINE

Make the move from CCTV to network video monitoring with the affordable Sony SNC-CS10P and SNC-CS11P

The Sony SNC-CS10P and SNC-CS11P cameras are designed specifically for high-quality and affordable network-based video monitoring. They combine high performance with value-added features such as built-in activity detection and pre-/post-alarm recording, and also boast a DC Servo Auto Iris Lens capability that makes them ideal for both indoor and outdoor use. Plus, because they are similar in size to CCTV cameras, you can install them using standard camera housings.

Equipped with Sony progressive scan CCDs and advanced DSP technology, these cameras produce high-resolution images and deliver excellent colour reproduction capabilities. They also support both JPEG and MPEG-4 compression formats for great flexibility when configuring your network environment or choosing an application.

For further efficiency and effectiveness in operating your network video monitoring system, these cameras offer a simultaneous access capability, a multicasting feature, and a choice of network security functions such as IP filtering and password protection.

If you want an affordable, feature-rich solution for your network video monitoring and surveillance applications, the Sony SNC-CS10P and SNC-CS11P cameras are a perfect choice. Plus, due to their compact design, you can install them in standard housing.



FEATURES

- Compact and Slim
 - ▶ Design inherited from CCTV cameras
 - ▶ Fits standard camera housings
- DC Servo Auto Iris Lens capability – ideal for both outdoor and indoor use
- Sony progressive scan CCDs and advanced DSP technology – provides clear and detailed images while maintaining high sensitivity
- Variety of power options: AC 24 V, DC 12 V, or PoE (Power over Ethernet)*1
 - ▶ Easy wiring with PoE (SNC-CS11P only)
- Analogue video output – ideal for use when adjusting the camera viewing angle during installation and for local monitoring
- Flange-back adjustment – for precise and easy focus settings
- Choice of compression formats: MPEG-4 and JPEG
- Five preset JPEG picture-quality settings with constant bitrate algorithm
 - ▶ Limits data bitrate while maintaining high-quality images
 - ▶ Ideal when network bandwidth is limited
 - ▶ Useful for calculating the required bandwidth during installation
- Alarm function – with activity detection and pre-/post-alarm recording modes
- Bi-directional audio function (SNC-CS11P only)
- Aspherical vari-focal lens – eliminates spherical aberration and minimises wide-angle distortion (SNC-CS11P only)

*1 The SNC-CS10P does not support PoE.

IPELA
INTEGRATED VISUAL COMMUNICATION

SNC-CS10P / CS11P

Network Cameras

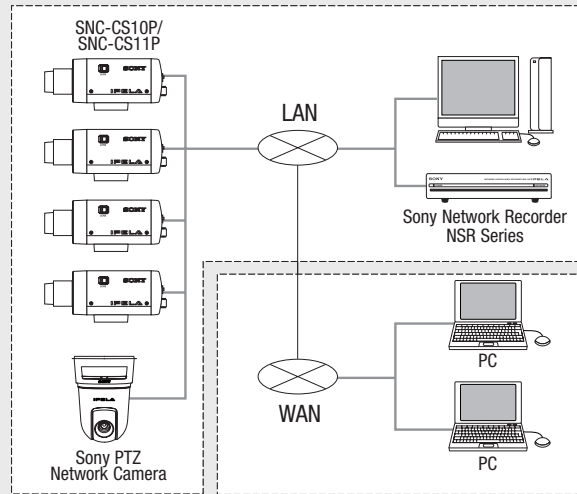
www.sonybiz.net/nvm



SPECIFICATIONS

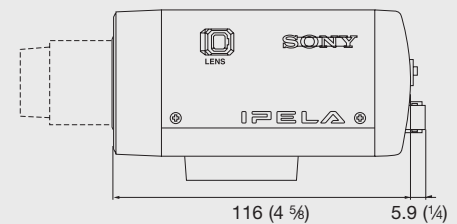
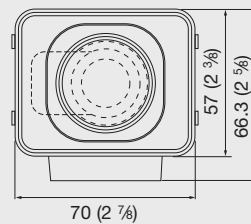
CAMERA	SNC-CS10P	SNC-CS11P
Image device	1/4-type Progressive Scan CCD	
Number of effective pixels	330,000 pixels (659 x 494)	
Electronic shutter	Auto/Manual	
Gain control	Auto/Manual (-3 dB to +28 dB)	
Exposure control	Auto/Shutter priority/Manual	
White balance mode	ATW/Indoor/Outdoor/One-push auto/Manual	
Lens type	-	Vari-focus zoom lens
Zoom ratio	-	1.5/2.0x optical zoom
Horizontal viewing angle	-	2.2 to 54.2 degrees
Focal length	-	f=3.0 to 8.0 mm (F1.0 to F1.4)
F-number	-	F1.6 (wide), F3.8 (tele)
Other functions	Activity Detection, Pre-/post-alarm recording	
IMAGE		
Image size (H x V)	640 x 480, 480 x 360, 384 x 288, 320 x 240, 256 x 192, 160 x 120 (JPEG, MPEG-4)	
Compression format	JPEG, MPEG-4	
Maximum frame rate	25 fps (QVGA), 18 fps (VGA)	
AUDIO		
Audio compression	G.711(64 kbps)/G.726 (40, 32, 24, 16 kbps)	
NETWORK		
Protocols	TCP/IP, HTTP, ARP, ICMP, FTP, SMTP, DHCP, SNMP(MIB2), DNS, NTP, RTP/RTCP, PPPoE	
Number of clients	JPEG: 20, MPEG-4: 10	
INTERFACE		
Ethernet	10Base-T/100Base-TX (RJ-45)	
Analogue video output	BNC x1, 1.0 Vp-p, 75 Ω	
I/O port	Sensor in x 1, Alarm out x 1	
External microphone input	-	Mini-jack (monaural, 2.2 kΩ 2.5 V plug-in power)
Audio line output	-	Mini-jack (monaural), max output level: 1 Vrms
ANALOGUE VIDEO OUTPUT		
Signal system	NTSC/PAL (Composite)	
Horizontal resolution	400 TV lines	
S/N ratio	more than 48 dB	
Minimum illumination	1.7 lx (50 IRE, F1.0, AGC ON)	
GENERAL		
Mass	Approx. 480 g (1 lb 1 oz)	Approx. 525 g (1 lb 2 oz)
Dimensions (W x H x D)	70 x 57 x 116 mm (2 7/8 x 2 1/4 x 4 5/8 inches)	
Power requirements	AC 24 V/DC 12 V	
Power consumption	5.7 W max.	
Operating temperature	-10 to 50 °C (14 to 122 °F)	
Storage temperature	-20 to 60 °C (-4 to 140 °F)	
SUPPLIED ACCESSORIES		
	CS-mount vari focal lens (SNC-CS11P only), Screw, Wire rope, AC Adaptor, AC Cable, CD-ROM (users guide, IP setup program, SNC audio upload tool, SNC video player, Customer homepage installer), Installation manual, Warranty booklet, Warranty sheet	
SYSTEM REQUIREMENTS		
Operating system	Microsoft Windows 2000/XP	
Processor	CPU: Intel Pentium IV 1.5 GHz or higher	
Memory	RAM: 256 MB or more	
Web browser	Microsoft Internet Explorer Ver.5.5 or 6.0	

SYSTEM CONFIGURATION

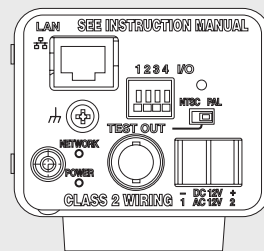


DIMENSIONS

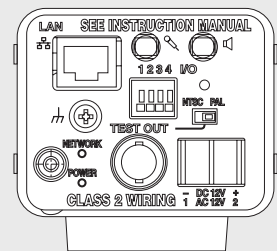
Unit: mm (inches)



REAR PANEL LAYOUT



SNC-CS10P



SNC-CS11P

RECOMMENDED NETWORK RECORDERS



Network Surveillance Recorders
NSR Series (NSR-25/NSR-50/NSR-100)

© 2006 Sony Corporation. All rights reserved. Reproduction in whole or in part without written permission is prohibited. Features and specifications are subject to change without notice. All non-metric weights and measurements are approximate. Sony is a registered trademark of Sony Corporation. IPELA is a trademark of Sony Corporation. CA SNC-CS10P/11P_DataSheet/GB-07/07/2006