

# D/2 DA4 DVI

Four Output DVI Distribution Amplifier



## FEATURES

- Input: DVI-D male on attached cable
- Output: Four DVI-D female connectors
- Accepts single link DVI-D signals
- Capable of handling VGA-UXGA resolutions
- DDC signals are routed to output 1
- Internal international power supply

## DESCRIPTION

The Extron **D/2 DA4 DVI** is a one input, four output distribution amplifier for DVI digital video signals. It accepts DVI - Digital Visual Interface signals from a computer and distributes up to four identical, independently buffered outputs. The DVI digital output signal can be run up to 15 feet (4.6 meters) using standard DVI patch cables. For applications requiring longer cable runs, Extron has developed the IN9700 Series long distance DVI cables which allow DVI signals to be transmitted up to 75 feet (22.9 meters). For applications requiring even greater lengths, the Extron DVI 201 Tx/Rx transmitter and receiver are capable of sending DVI signals up to 200 feet (60 meters) using CAT 5 cable. The D/2 DA4 DVI accepts TMDS Transition Minimized Differential Signaling DVI signals at a bit rate of up to 1.6 gigabits/sec/color. It is equipped with DVI-D connectors for a single link of DVI-D. The D/2 DA4 DVI can also distribute HDMI - High Definition Multimedia Interface signals with Extron DVI-HDMI adapters.

## SPECIFICATIONS

### VIDEO

Bit rate ..... 5 gigabits per second (1.6 gigabits/second/color)

### VIDEO INPUT

Number ..... 1 DVI  
 Connectors ..... 1 attached cable with DVI male connector  
 Minimum input voltage ..... 0.15 Vp-p

### VIDEO SIGNAL CHARACTERISTICS

Rise / Fall time ..... 220 ps, maximum 350 ps

### VIDEO OUTPUT

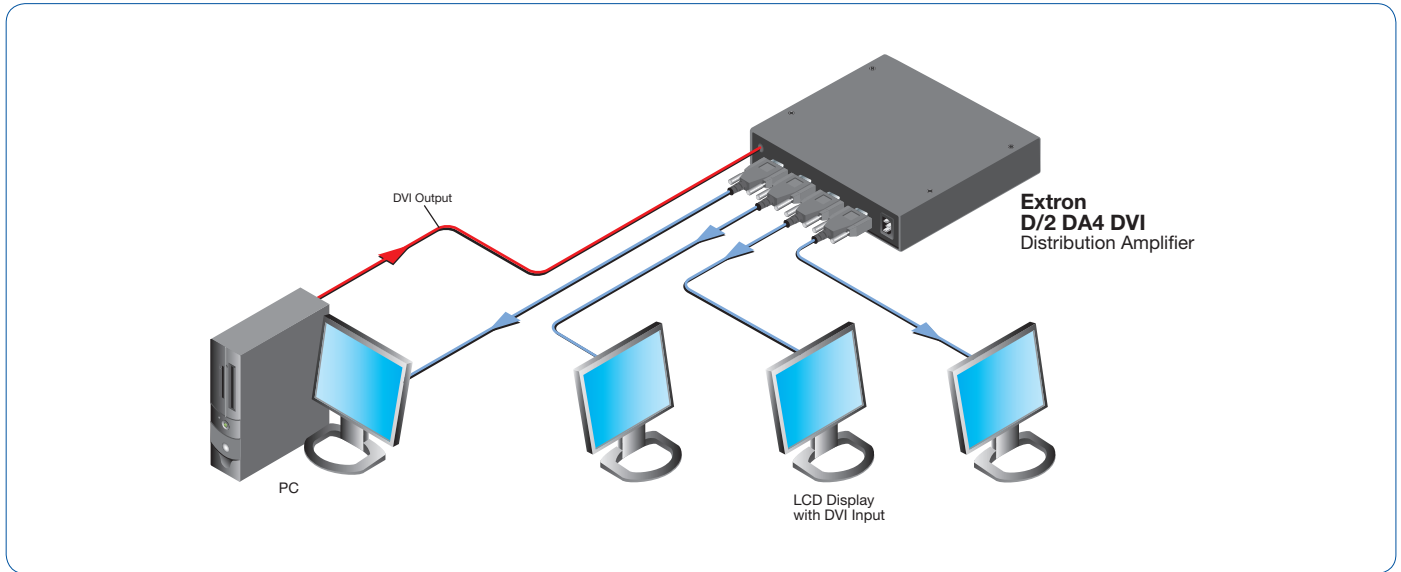
Number ..... 4 DVI  
 Connectors ..... 4 DVI female  
 Minimum output voltage ..... 0.6 Vp-p

### DDC AND HDCP COMMUNICATION

DDC and HDCP signals ..... Connected to output 1

### GENERAL

Power ..... 100 VAC to 240 VAC, 50/60 Hz, 13 watts, internal, autoswitchable  
 Temperature / Humidity ..... Storage: -40 to +158 °F (-40 to +70 °C) / 10% to 90%, noncondensing  
 Operating: +32 to +122 °F (0 to +50 °C) / 10% to 90%, noncondensing  
 Rack mount ..... Yes, with optional 1U rack shelf, part #60-190-01 or 60-604-01  
 Enclosure type ..... Metal  
 Enclosure dimensions ..... 1.75" H x 8.75" W x 9.4" D (1U high, half rack wide)  
 4.4 cm H x 22.2 cm W x 23.9 cm D (Depth excludes connectors)  
 Product / Shipping weight ..... 2.8 lbs (1.3 kg) / 5 lbs (3 kg)  
 Vibration ..... ISTA 1A in carton (International Safe Transit Association)  
 Listings / Compliances ..... UL, CUL / CE  
 MTBF ..... 30,000 hours  
 Warranty ..... 3 years parts and labor



MODEL	VERSION DESCRIPTION	PART #	
D/2 DA4 DVI	1x4 DVI .....	60-315-02	
OPTIONAL ACCESSORIES	MODEL DESCRIPTION	PAGE	PART #
DVI 201 Tx/Rx	Single Link DVI/HDMI Extender .....	page 489	60-734-03
IN9700 Series	DVI-D Male to Male Long Distance Extension Cables .....	page 712	26-584-0X
RSU 129	1U 9.5" Deep Universal Rack Shelf Kit .....	page 747	60-190-01
MBU 129	1U, 1/2 Rack Width Under-Desk Mount Kit for Four-Piece Enclosure .....	page 744	70-219-01